



Acme Sanitary Ware Co Ltd

Acme Building, 22-28 Nanking Street, Kowloon, Hong Kong
 Tel: 2388 7171 Fax: 2710 8012
 E-mail: acme@acmesanitary.com.hk
 Website: www.acmesanitaryware.com.hk

PROJECT		REF		REV	ITEM CODE	
LOCATION		DATE			PAGE	

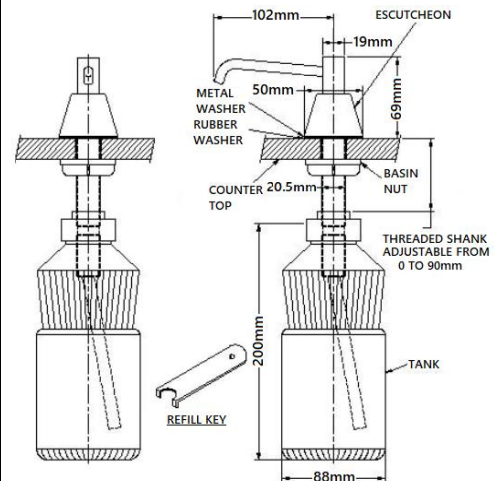
SANITARY WARE SPECIFICATION SHEET

Item Descriptions	Mediclinics (Spain) soap dispenser, chrome-plated brass, bright finish
Dimensions	Refer to drawing
Model	DJT118
Material/ Finish	Chrome-Plated Brass / Bright Finish
Manufacturer	Mediclinics, S.A. (Spain)
Supplier	Acme Sanitary Ware Co. Ltd Mr. Eric Wong/ Mr. Don Yuen
Contact Tel/Fax	(852) 2388-7171 / (852) 2710-8012
E-mail	acme@acmesanitary.com.hk
Website	www.acmesanitary.com.hk

Illustration/ Drawing



General description <ul style="list-style-type: none"> · Lavatory-mounted soap dispenser shall dispense 950ml. · Push-button actuated. · Model suitable for collectivities and for installation in areas with high traffic of people. · Suitable for liquid and lotion soaps, synthetic detergents and antibacterial soaps containing PCMX and/or Triclosan. Not supported surgical soaps. 	
Components & materials <ul style="list-style-type: none"> · DJT118: chrome-plated brass, bright finish. · Dispenser stem & 102 mm spout: chrome-plated brass, bright finish, with rubber“duck bill”check valves and an O-ring seal. Vandal-resistant spout shall rotate 360° without damage to unit. Valve operation shall comply with ADA Accessibility (no more than 22.2 Newtons of pressure to actuate without grasping or twisting by operator). · Tank: shall be translucent, shatter-resistant polyethylene, refillable from the top. · Threaded shank: shall be gray thermoplastic ABS,shatter-resistant. · Escutcheon: chrome-plated brass, bright finish. · Valvebody, internal parts, basin nut and tank adapter: modeled plastic. · Spring, escutcheon washer, stem retainer collar and screw: stainless steel. 	
Mounting Template Unit is typically located adjacent to a flush mounted lavatory, through Ø 22-25mm cut out (by others) in counter top. An adjustable threaded shank allows for installation in counter tops up to 90mm high.	



Technical Specifications:	
Weight (empty)	0,425 Kg
Suitable soaps	Liquid and lotion soaps, synthetic detergents and antibacterial soaps containing PCMX and/or Triclosan. Not supported surgical soaps.
Pressure pulsation	20,0 N
Capacity	0,95 L
Quantity dispensed per pump	1 ml
Escutcheon	Ø50 mm
Countertop hole	Ø25 mm
Tank height	216 mm

Note:

* All information of the above is the reference only. No prior notice is made if any changes.

